

DOOR LEAF WEIGHT

max. 60 kg

TRACK

ANODISED ALUMINIUM

DOOR THICKNESS

25 - 40 mm

Set for sliding interior doors with an automatic soft closing system.

- ◆ Two independent adjustments:
 - Door closing speed
 - Door closing force
- ◆ No threshold - comfort of use
- ◆ Great for children and the elderly
 - prevents slamming and trapping in the door
- ◆ Track installed to the wall



1-leaf door sets, excl. masking plate

Cat. No.	Description	Max. door width	Track length
212-062	HERMES set	1100 mm	2200 mm

Contents of the set

Aluminium track	1 pc
Hanger	2 pcs
Self-closing mechanism	1 pc
Brake	1 pc
Stopper and clip stopper	1 pc
Toothed rack	1 pc
Bottom guide	1 pc
Screws	1 set
Installation instruction	1 pc

Available components not included in the set

Cat. No.	Description
219-276	SC-TR closing time adjustment mechanism, right
219-275	SC-TR closing time adjustment mechanism, left



Aluminium track

Cat. No. 219-272



Self-closing mechanism



Hanger



Stopper and clip stopper



Hanger with brake and toothed rack for soft door closing



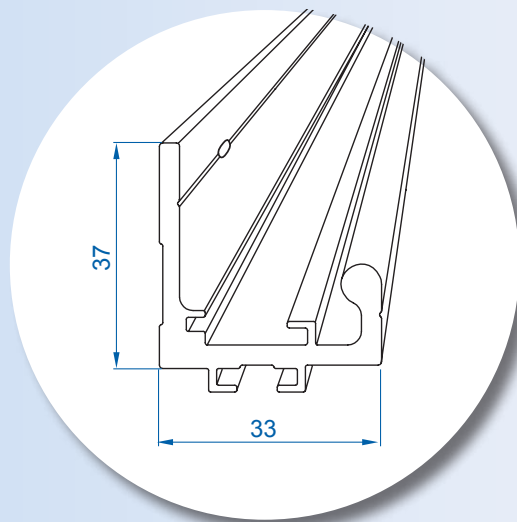
Closing time adjustment mechanism



Bottom guide



Ball bearing wheels!



1-leaf door set, with pelmet		
Cat. No.	Description	Max. door width
213-390	SC-70 SOFT-CLOSE	730 ÷ 780 mm
213-391	SC-80 SOFT-CLOSE	830 ÷ 880 mm
213-392	SC-90 SOFT-CLOSE	930 ÷ 980 mm
213-393	SC-100 SOFT-CLOSE	1030 ÷ 1080 mm
Contents of the set - as in the HERMES set, additionally including:		
Anodised aluminium silver pelmet	1 pc	
Pelmet caps, left + right	1 pc	
Pelmet mounting bracket	2 pcs	

